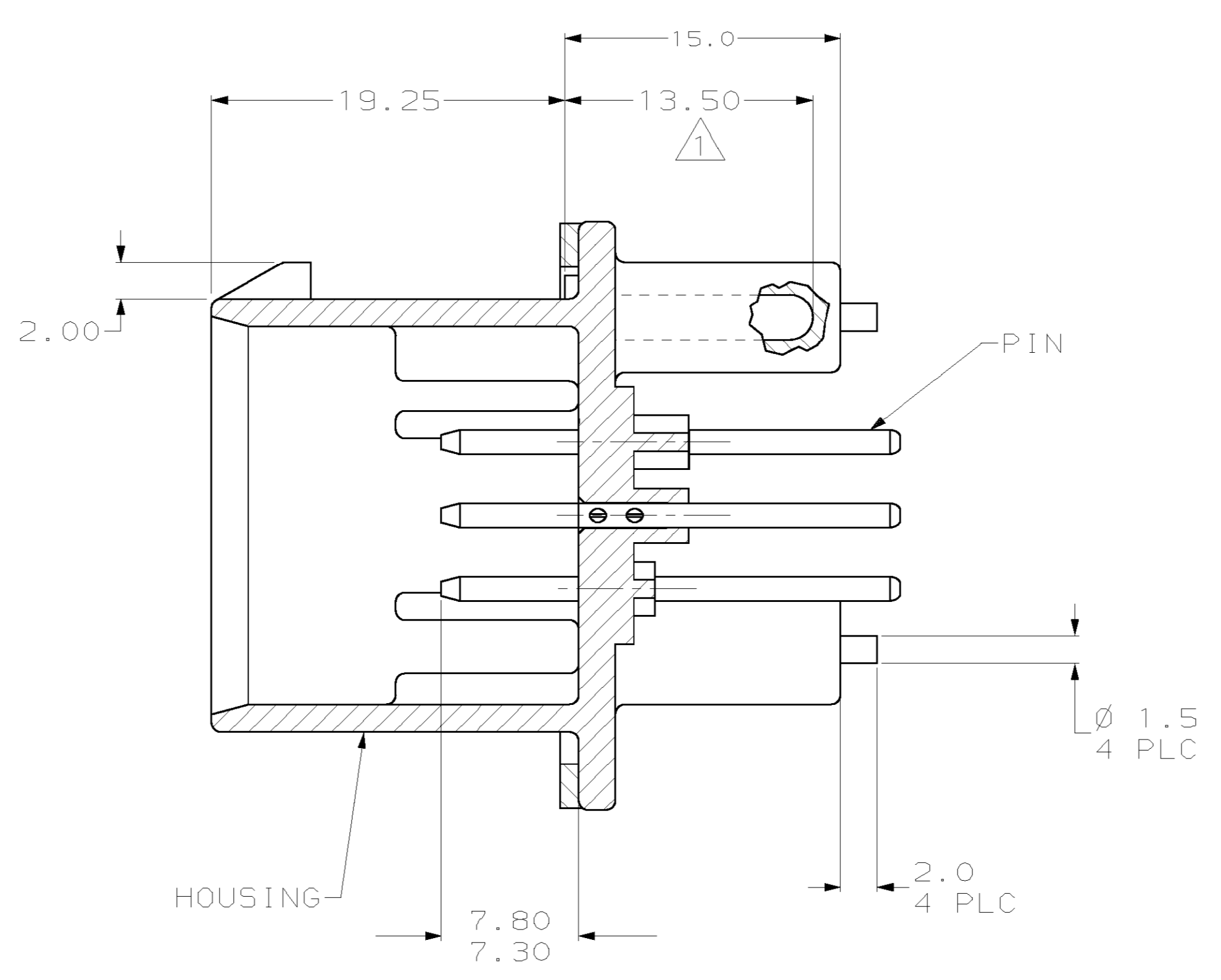
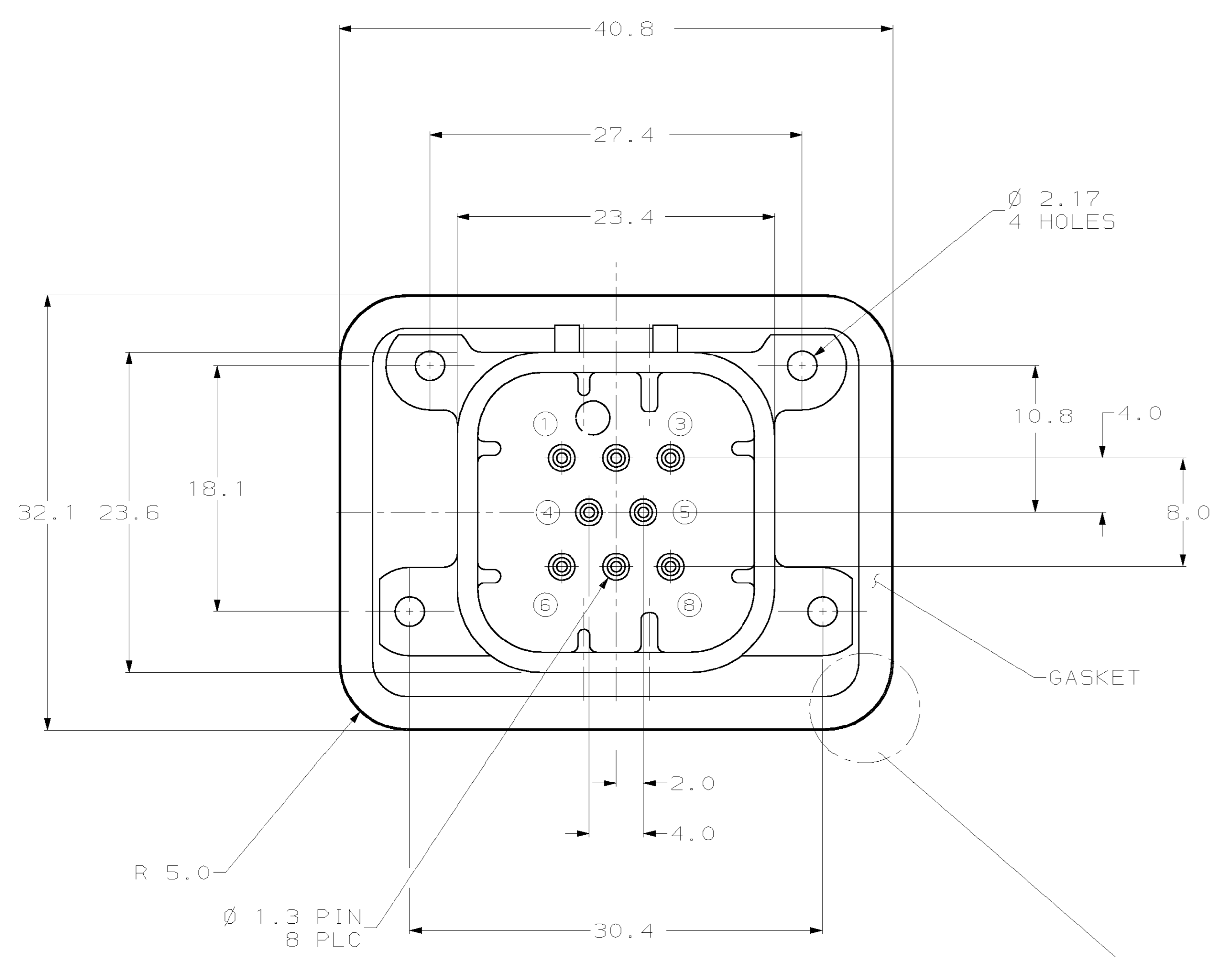
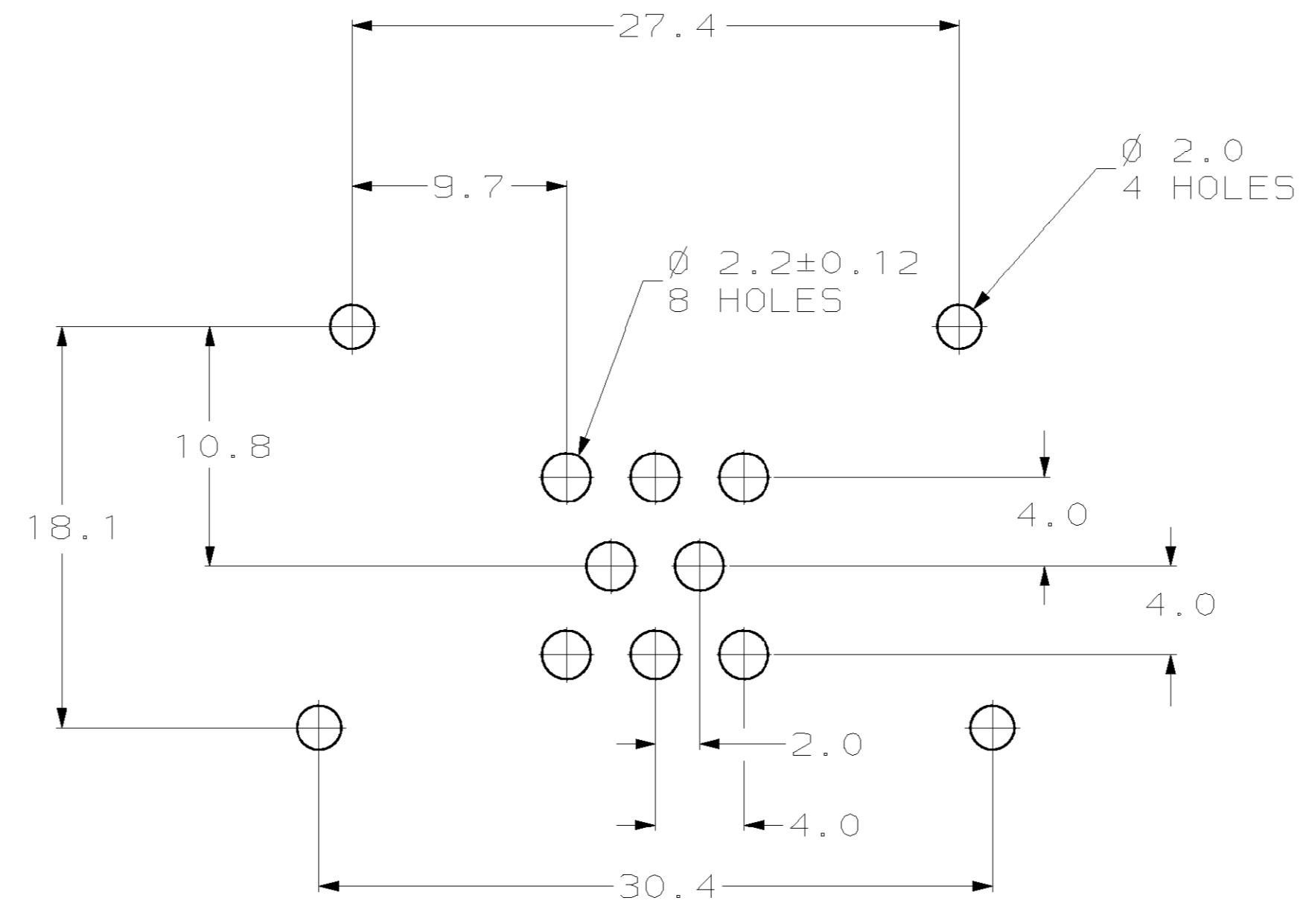
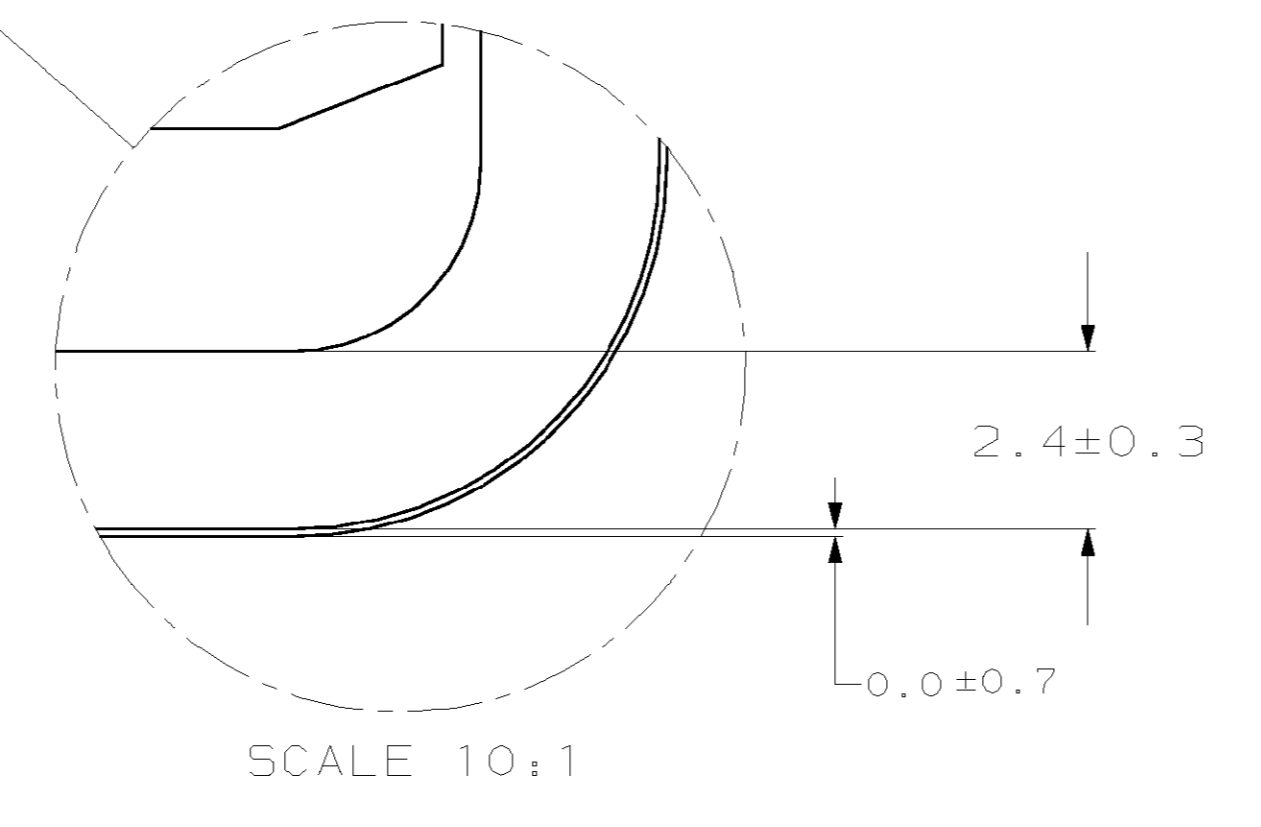
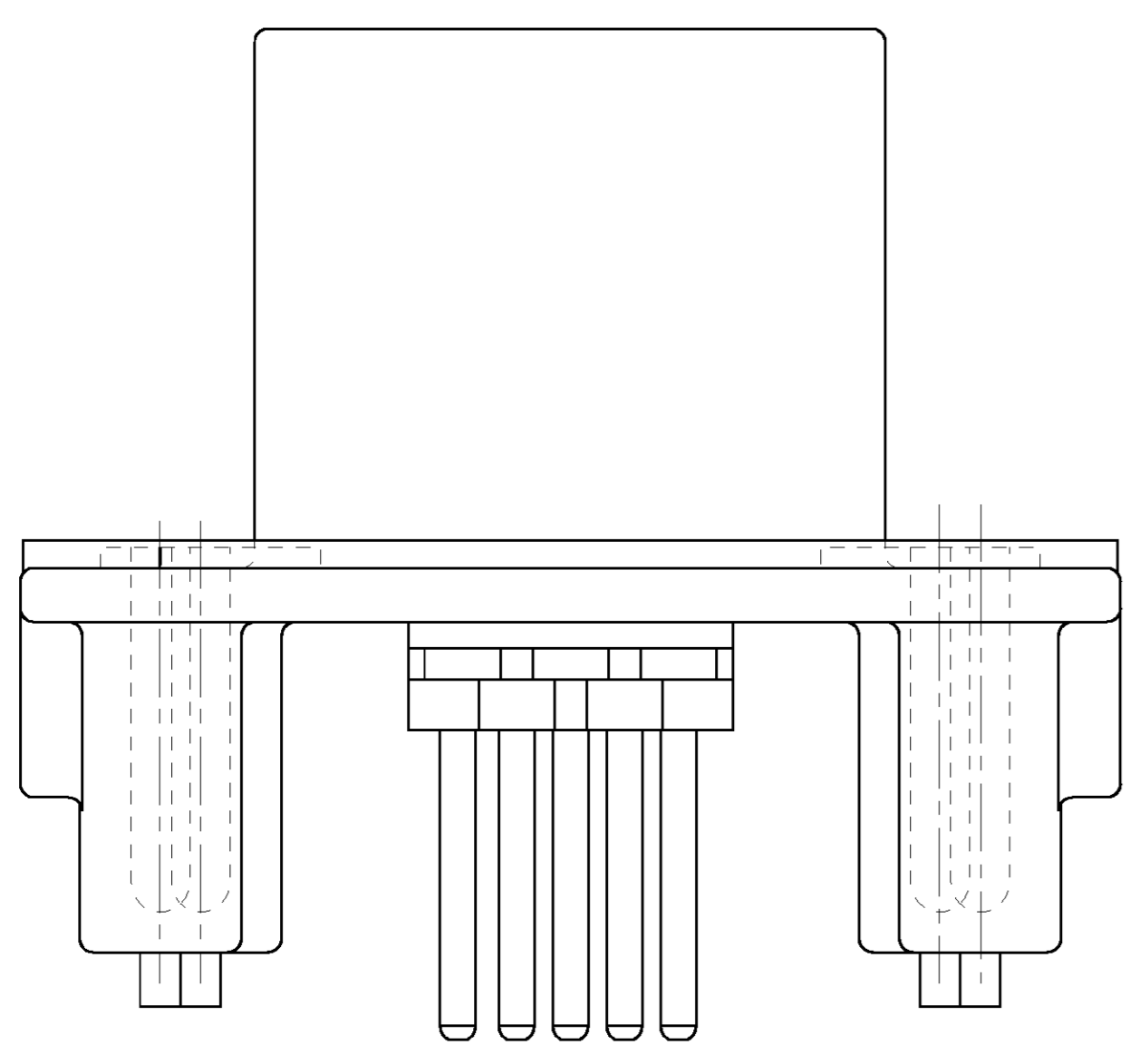


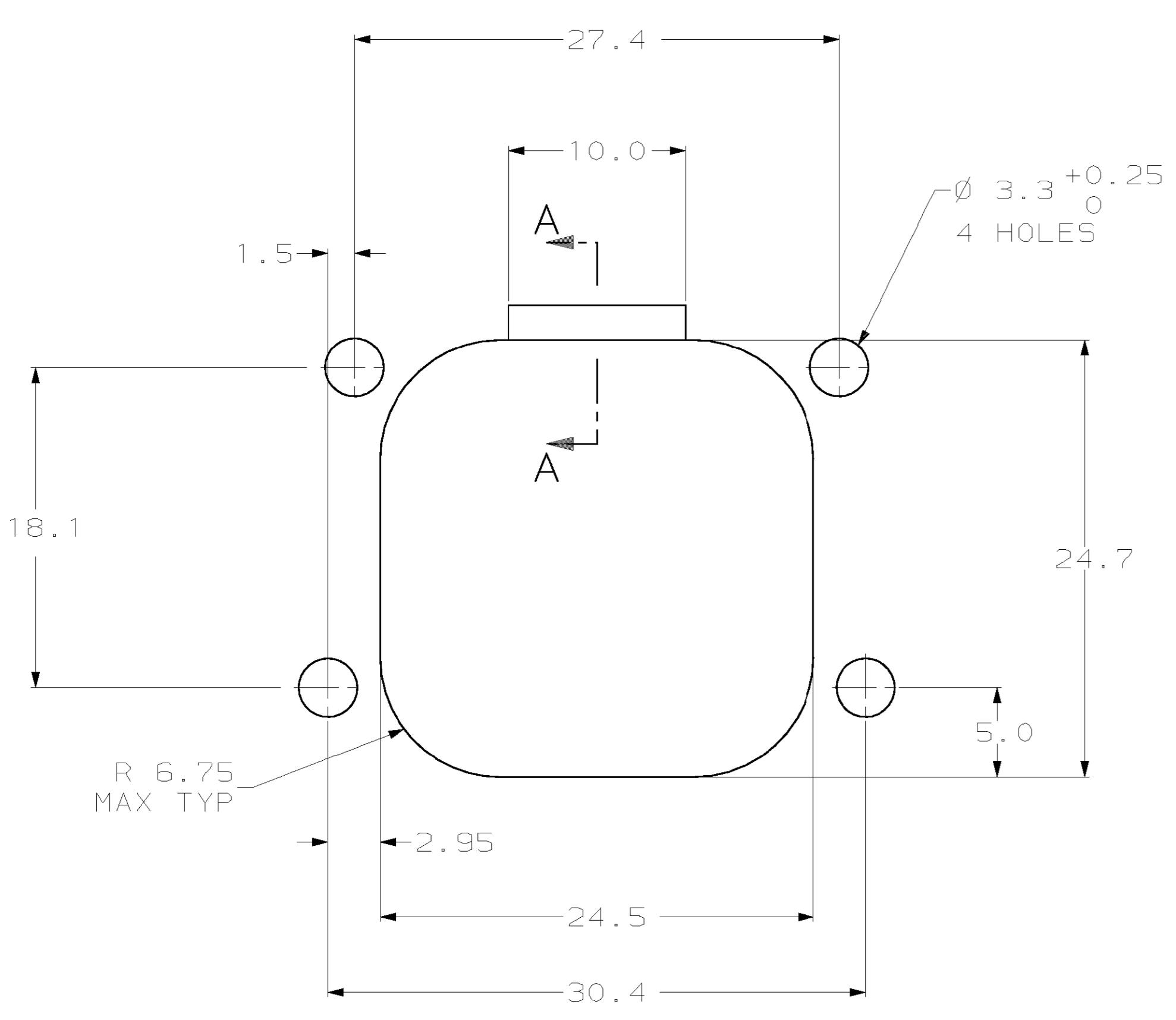
| REVOLUTIONS |                          | DATE     | BY | CHKD | APP'D |
|-------------|--------------------------|----------|----|------|-------|
| 0           | REL PER PR# 98-28        | 9-3-98   | PC | DC   |       |
| A           | REV PER EC# OK40-0235-99 | 11-17-99 | PC | DC   |       |
| B           | REV PER EC# OK40-0115-01 | 05/06/01 | AG | DC   |       |



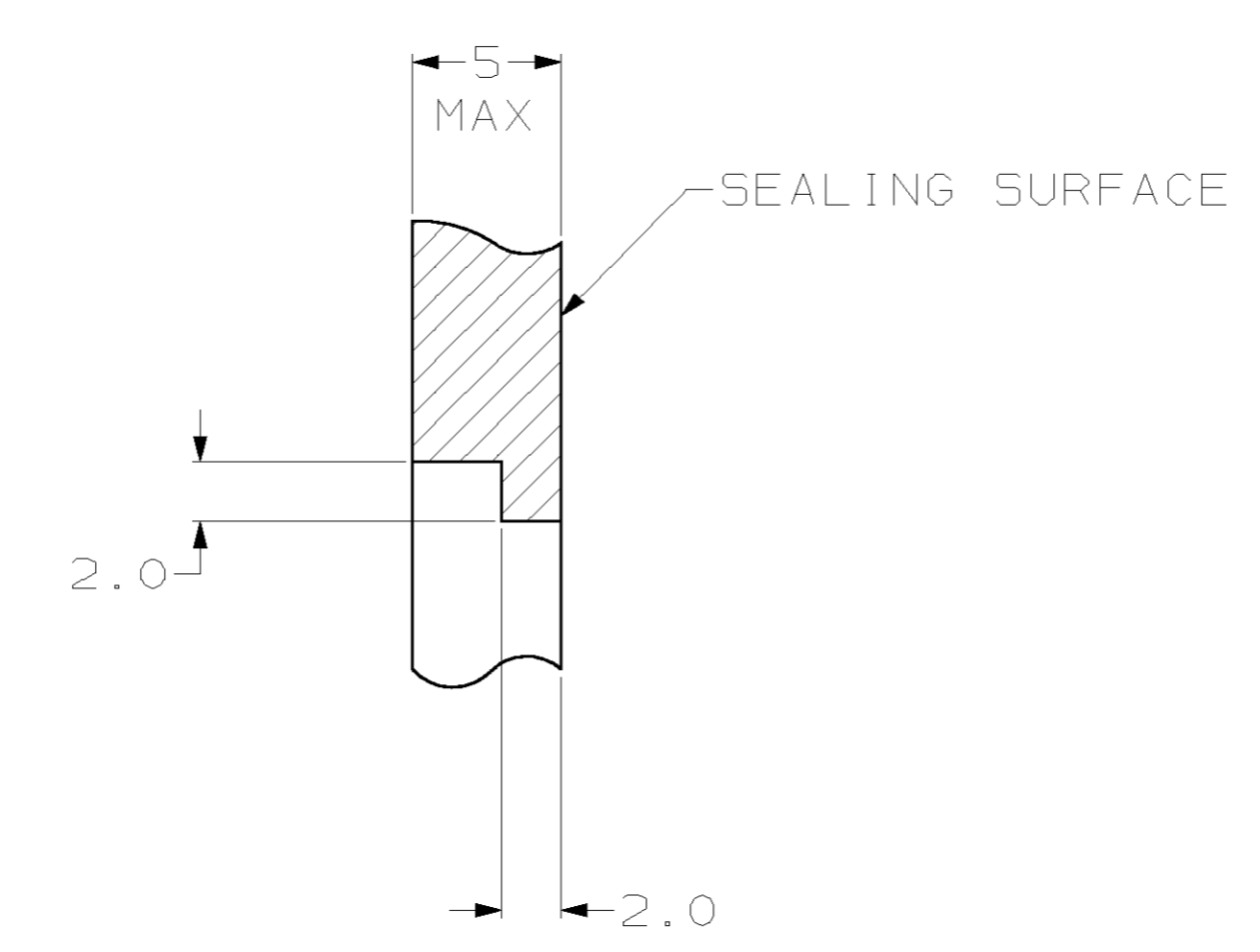
- 1 ACCEPTS #4 SELF TAPPING SCREW (ELCO HI-LO THREAD CUTTING STYLE OR EQUIVALENT) TO BE DRIVEN AT 0.6±0.2 N-M.
- 2 GASKET MATERIAL: SILICONE
- 3 HOUSING COLORS ARE MECHANICALLY KEYS TO MATE ONLY WITH IDENTICALLY COLORED PLUG ASSEMBLIES.



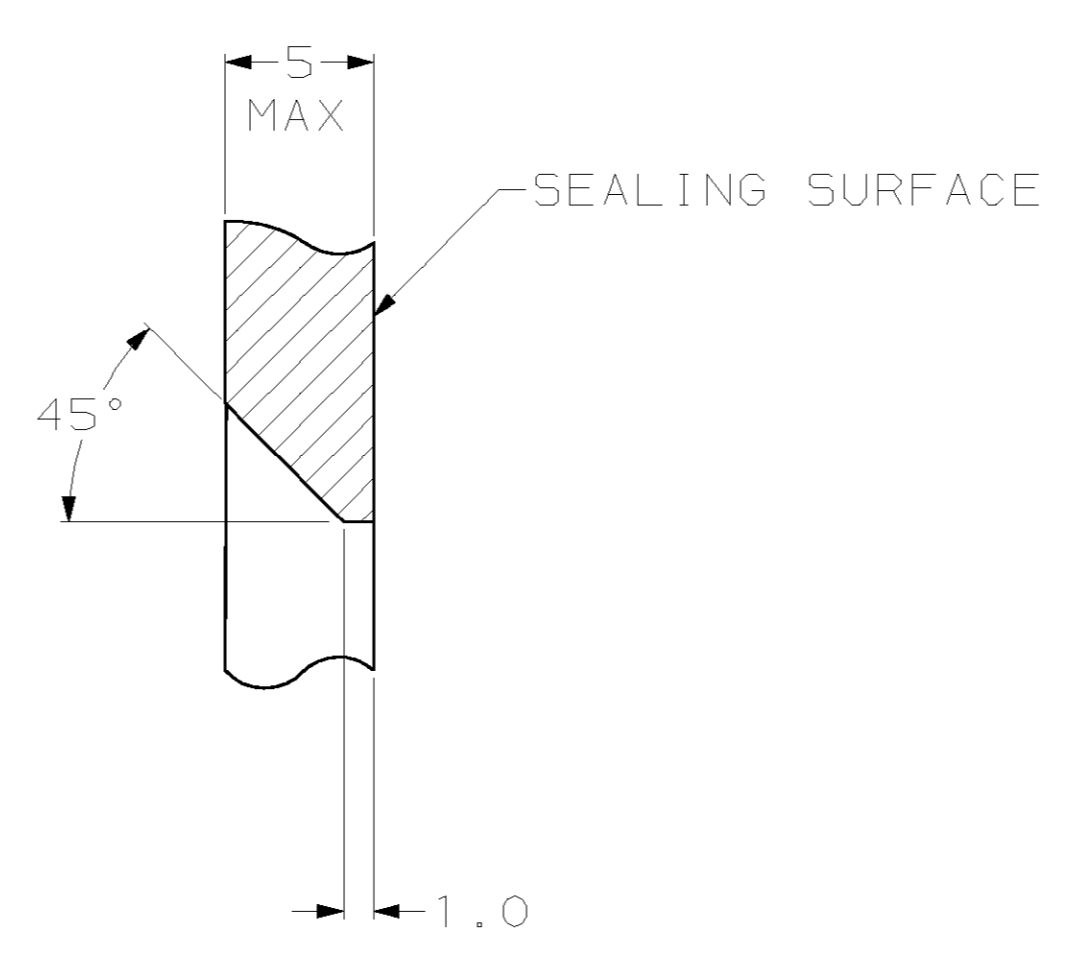
RECOMMENDED P.C. BOARD LAYOUT FOR 1.57 THICK P.C. BOARD



RECOMMENDED MOUNTING HOLE LAYOUT FOR 5.0 MAX THICK PANEL



SECTION A-A  
OPTIONAL CONSTRUCTION IF THICKNESS IS GREATER THAN 2.0



SECTION A-A  
OPTIONAL CONSTRUCTION IF THICKNESS IS GREATER THAN 2.0

| GASKET MATERIAL | HEADER HOUSING COLOR | PIN             | PART NUMBER |
|-----------------|----------------------|-----------------|-------------|
| 1               | NATURAL              | DURAGOLD PLATED | 1-776276-2  |
| 2               | BLACK                | DURAGOLD PLATED | 1-776276-1  |
| 3               | NATURAL              | TIN PLATED      | 776276-2    |
| 4               | BLACK                | TIN PLATED      | 776276-1    |

| SYMBOLS            | TECHNICAL NOTES | OTHERWISE SPECIFIED | DATE     | BY | CHKD | APP'D |
|--------------------|-----------------|---------------------|----------|----|------|-------|
| AMP 4806 REV 10/93 | SEE TABLE       |                     | 11-17-99 | PC | DC   |       |